

Application Note

Hardwire iPad to a Network



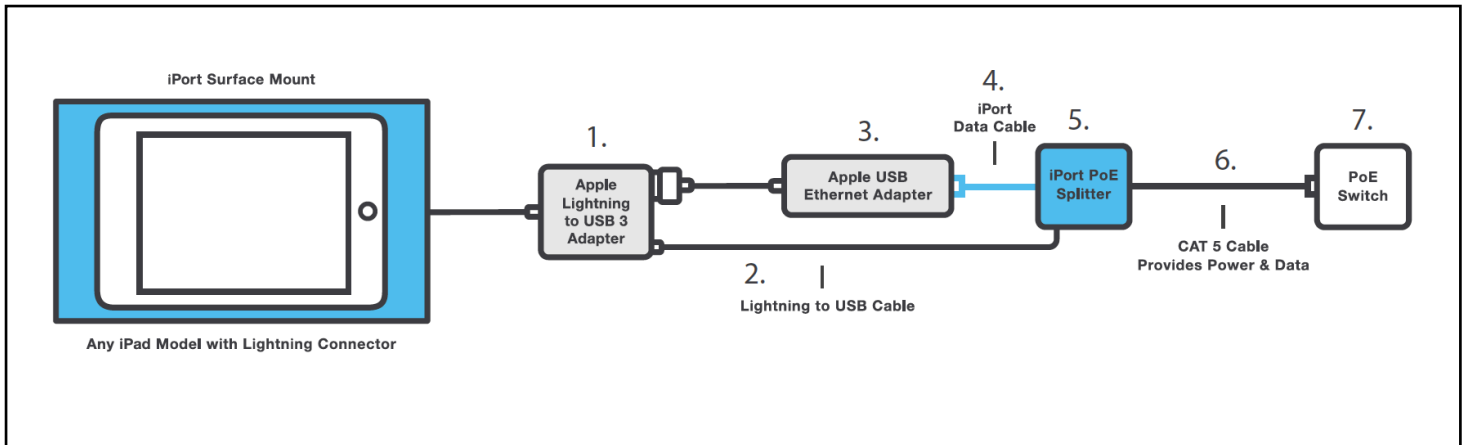
Overview

iPort's Surface Mount PoE solution in combination with Apple's adapters is the world's first solution using a single CAT5 cable from a PoE switch to provide power and data to the iPad. Use this feature if an installation presents a challenge to use Wi-Fi to network with iPad.

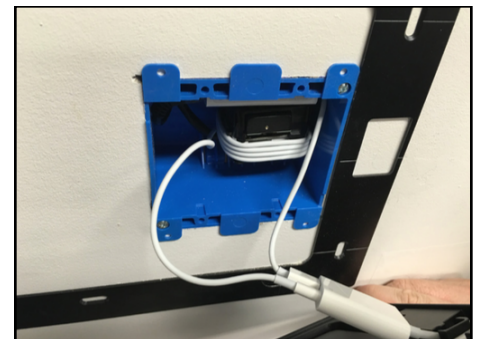
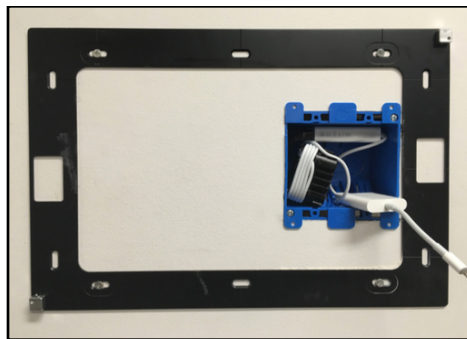
Materials Required

- Apple lightning to USB adapter
- Lightning to USB Cable
- Apple USB Ethernet Adapter
- CAT 5 Cable
- iPort PoE Splitter (70718)
- iPort Data Cable (70791)
- PoE Switch

1. Assemble the required materials per the diagram below.



2. A double gang box will be needed for installation. Be sure to install the double gang box as close as possible to the side of the of the mounting bracket where the home button on the iPad will be located. Position the components to provide enough space to accommodate the USB adapter.



3. Plug the USB adapter into the iPad and insert the iPad into the Surface Mount.

